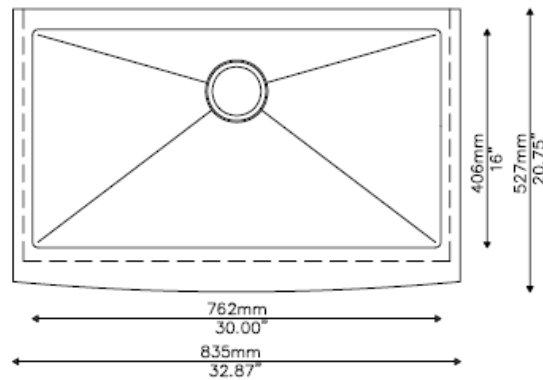


# Single Bowl Sink

SIN-16-SINBWL-WEL-3321FSAF

## Specifications



### FEATURES:

- 16 (1.59 mm) gauge nickel-bearing stainless steel
- 10" (254mm) deep
- Satin finish
- 3-1/2" (89mm) drain opening
- Sound dampening pad with spray undercoating
- Minimum cabinet size: 36"



These sinks are listed by the International Association of Plumbing and Mechanical Officials as meeting the requirements of the Uniform Plumbing Code.

### OPTIONAL ACCESSORIES:

**Electronic Template Mounting Option  
(Download DXF File from [www.msistone.com](http://www.msistone.com))**

*NOTE: THIS UNDERMOUNT SINK IS DESIGNED TO MOUNT TO SOLID SURFACE (NON-LAMINATE) COUNTERTOP ONLY.*