

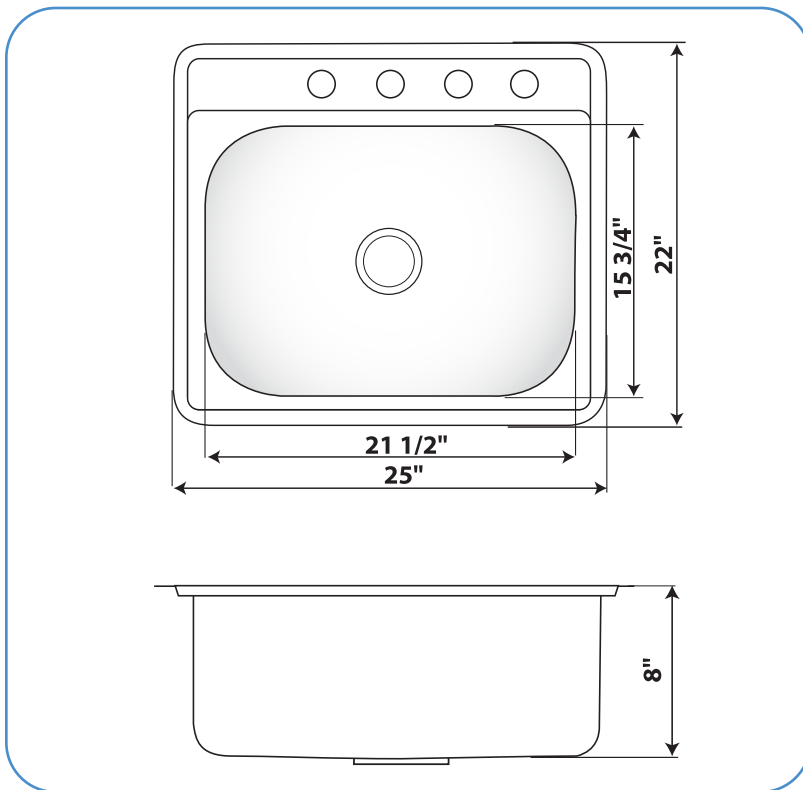
# Marquee Series

PL-960



## Product Specifications:

- Installation Type:  
Top Mount
- Material:  
304 Stainless Steel
- Finish:  
Satin Brushed
- Thickness: 18g
- Sink Dimensions:  
25" x 22" x 8"
- Number of Bowls: 1
- Bowl Dimensions:  
21 1/2" x 15 3/4" x 8"
- Drain Opening: 3 1/2"



## Special Features:

- Protective thermal undercoating
- Sound deadening pads
- Template
- Mounting Brackets Available

PART: \_\_\_\_\_ QTY: \_\_\_\_\_

PROJECT: \_\_\_\_\_

CONTACT: \_\_\_\_\_

DATE: \_\_\_\_\_

NOTES: \_\_\_\_\_

APPROVAL: \_\_\_\_\_