



VANITIES

VIKING

KITCHENS

VANGUARD



VANGUARD

The Concord series is our all-plywood line, which comes with full half inch back panels, complete with solid wood dovetail drawers, enhanced by a soft-close feature and full extension under-mount glides to create a smooth glide. The cabinetry is equipped with $\frac{3}{4}$ " fully adjustable shelves, which provide supreme durability, and six-way adjustable soft close hinges for flexibility. Light-colored wood interiors allow for practicality and ease of maintenance.



VG10 - WHITE



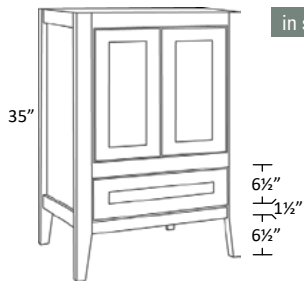
VG11 - ESPRESSO



VB22 - DOVE

VANGUARD VANITY SPECS

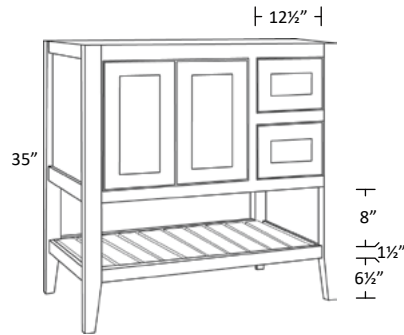
Bottom Drawer Vanity



		Cubic Feet	Weight	K
in stock	VDB2421	13	45	563
in stock	VDB3021	15	49	622
in stock	VDB3621	18	53	682

	Cubic Feet	Weight	K

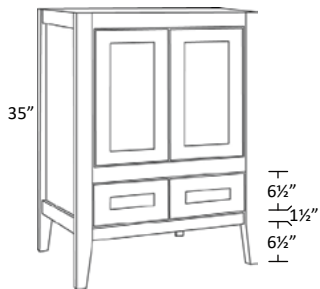
Open Bottom Right Drawers Vanity



	Cubic Feet	Weight	K

	Cubic Feet	Weight	K
VOB3621-DR	18	53	840
VOB4221-DR	20	61	929

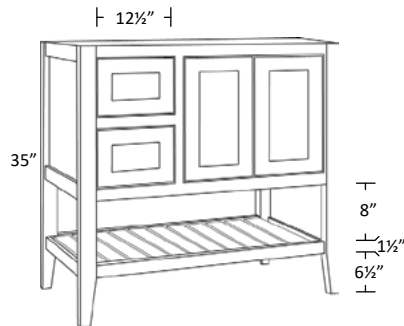
Double Bottom Drawer Vanity



		Cubic Feet	Weight	K
in stock	VDB4221	20	61	969
	VDB4821	23	69	989

	Cubic Feet	Weight	K

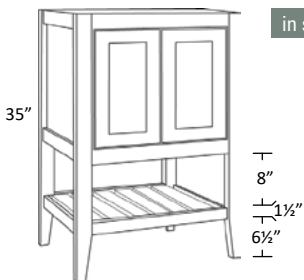
Open Bottom Left Drawers Vanity



	Cubic Feet	Weight	K

	Cubic Feet	Weight	K
VOB3621-DL	18	53	840
VOB4221-DL	20	61	929

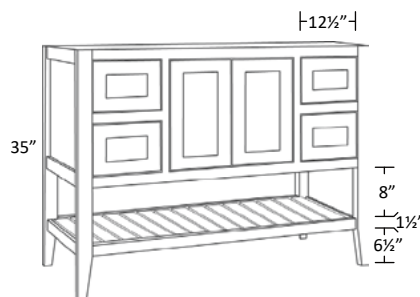
Open Bottom Vanity



		Cubic Feet	Weight	K
in stock	VOB2421	13	43	541
in stock	VOB3021	15	47	600
in stock	VOB3621	18	51	660
	VOB4221	20	59	719

	Cubic Feet	Weight	K

Open Bottom Double Drawers Vanity



	Cubic Feet	Weight	K

	Cubic Feet	Weight	K	
in stock	VOB4821-DD	22	69	1224

CUSTOMER SATISFACTION GUARANTEED

We're proud to offer affordable quality in closets, the Viking Kitchens way.
We take pride in our products, and stand by them.



www.vikingkitchens.com

sales@vikingkitchens.com

33-39 John Street, New Britain, CT 06051

860-223-7101

360 Sackett Point Road, North Haven, CT 06473

203-234-2690

Showroom hours: Mon-Fri 8am-5pm
Appointments are preferred in order to provide you with the level of
service you deserve.

Evenings and Saturdays by appointment only.